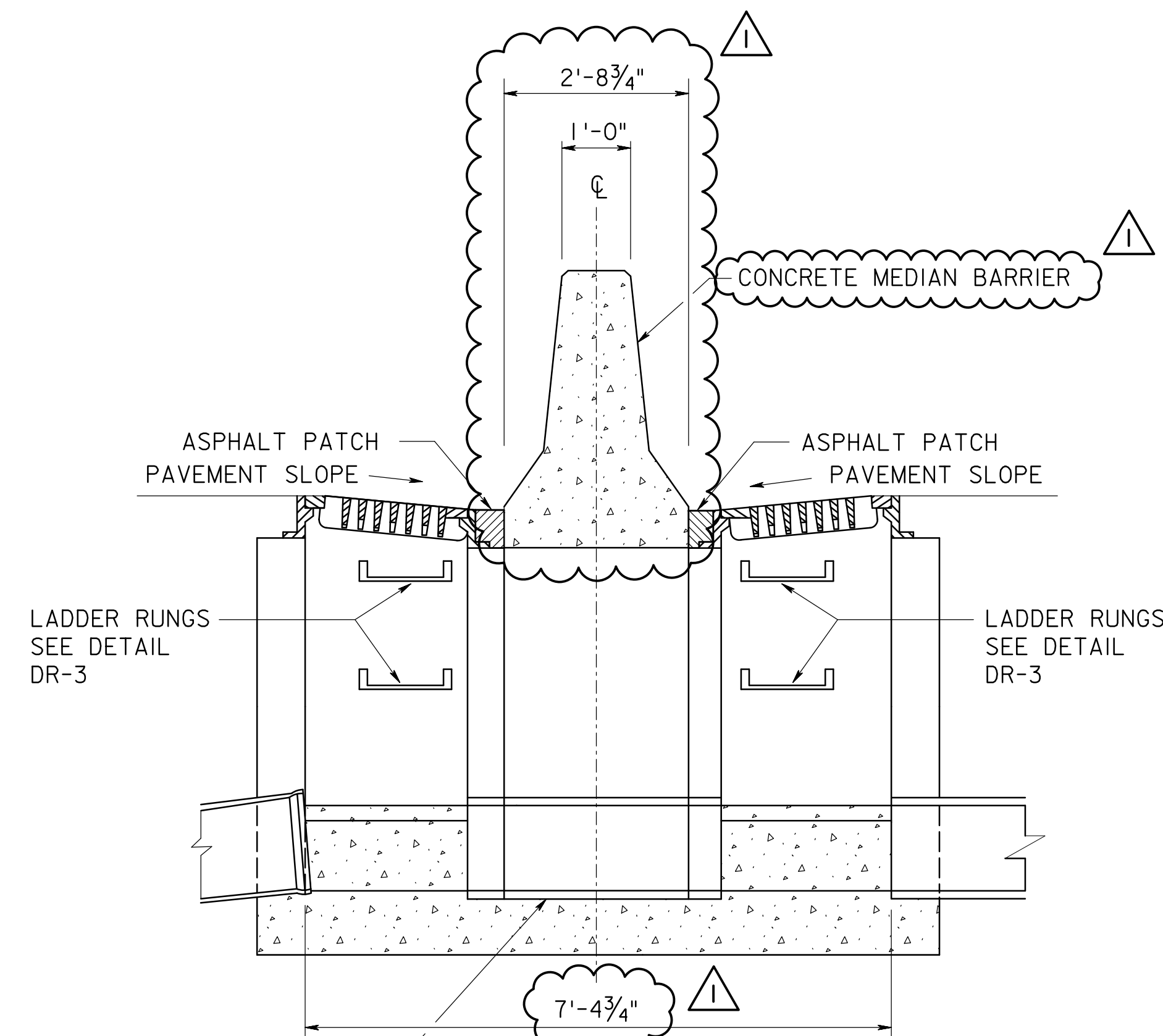
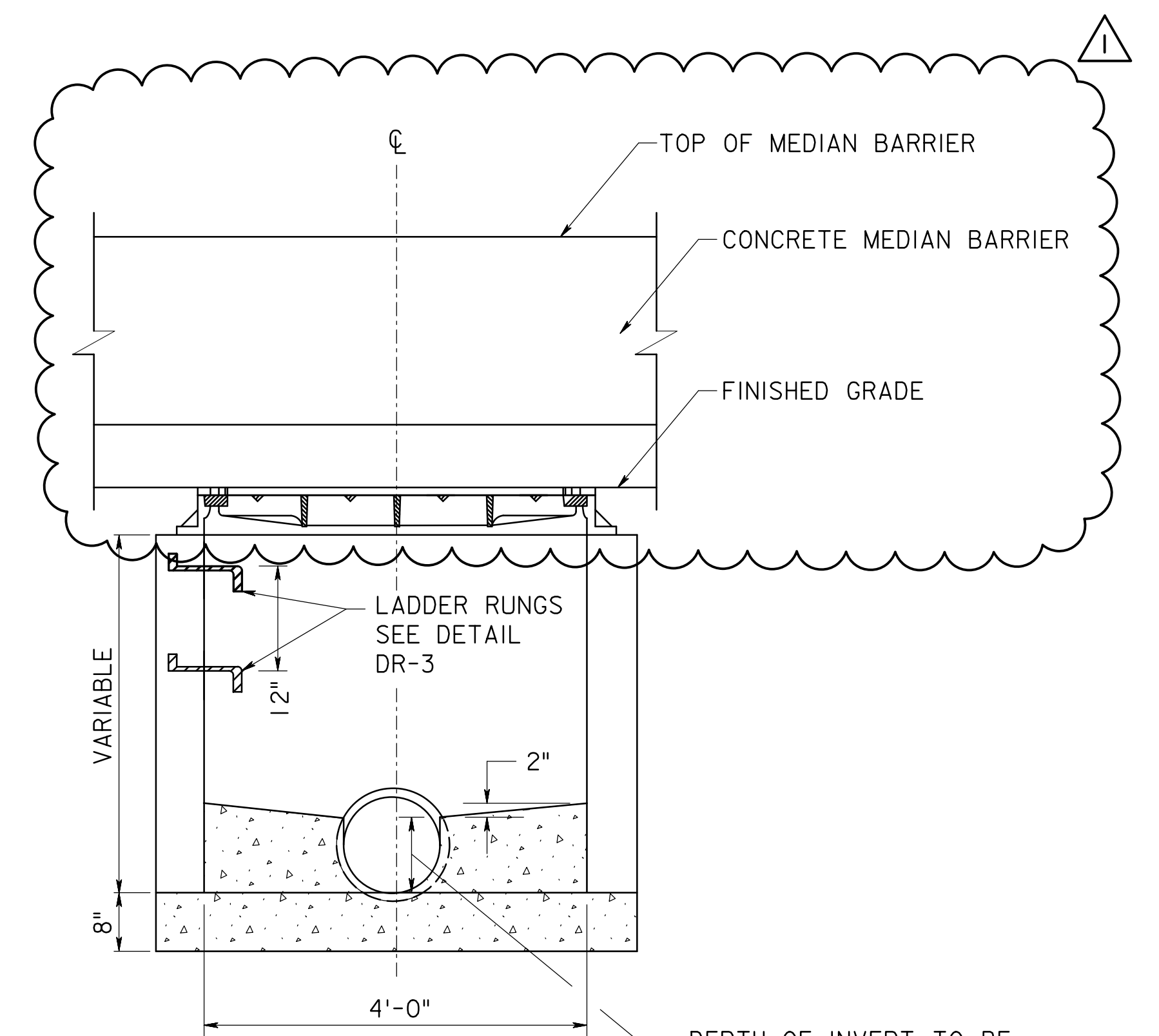


SECTION A-A



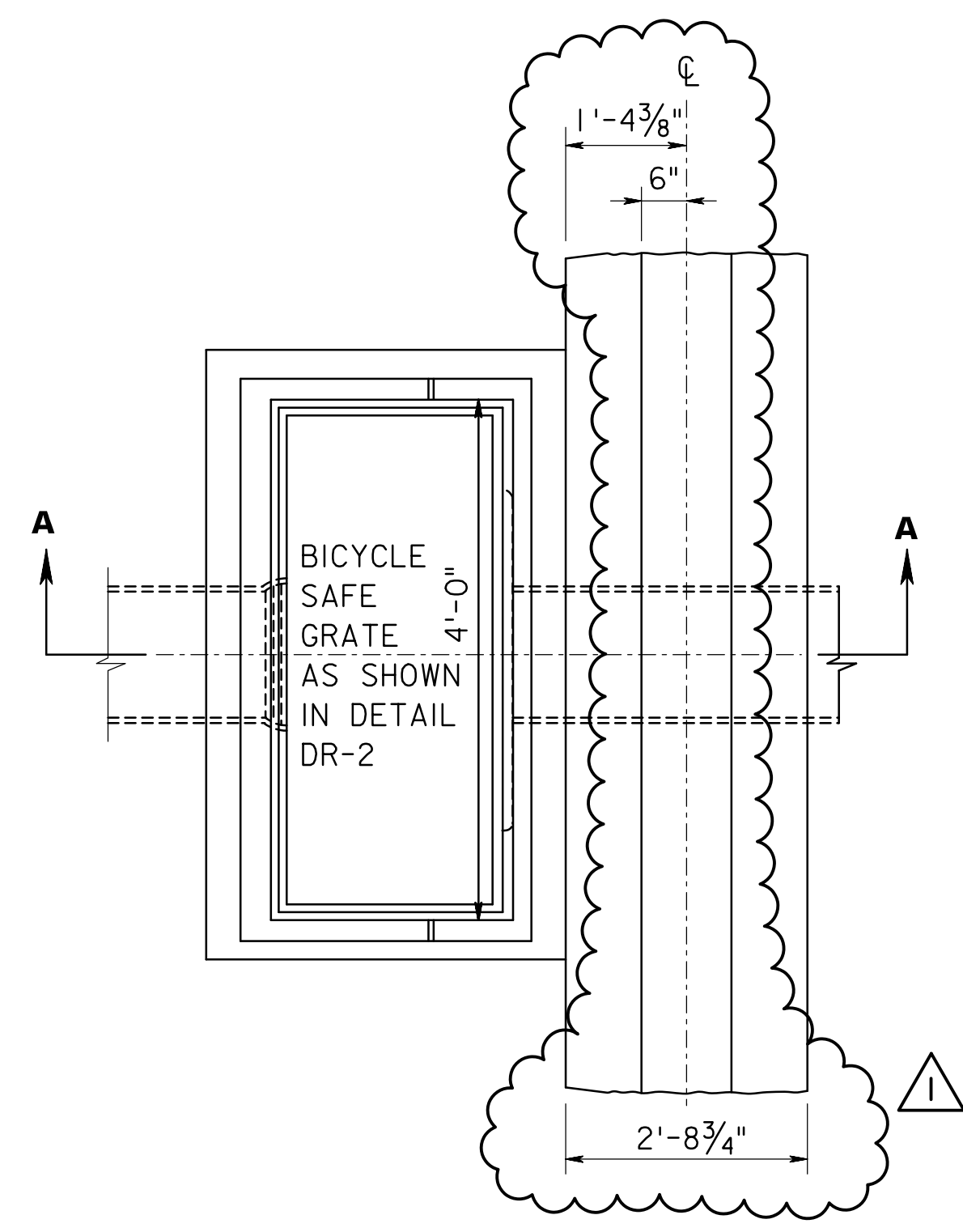
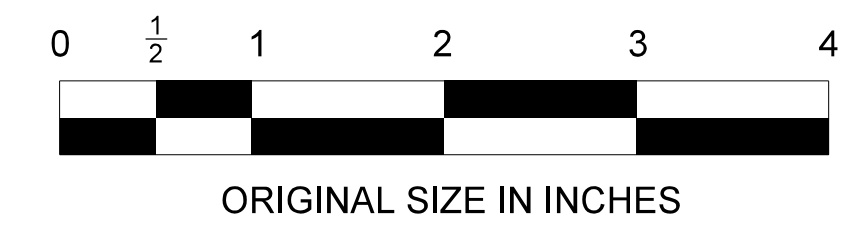
SECTION B-B



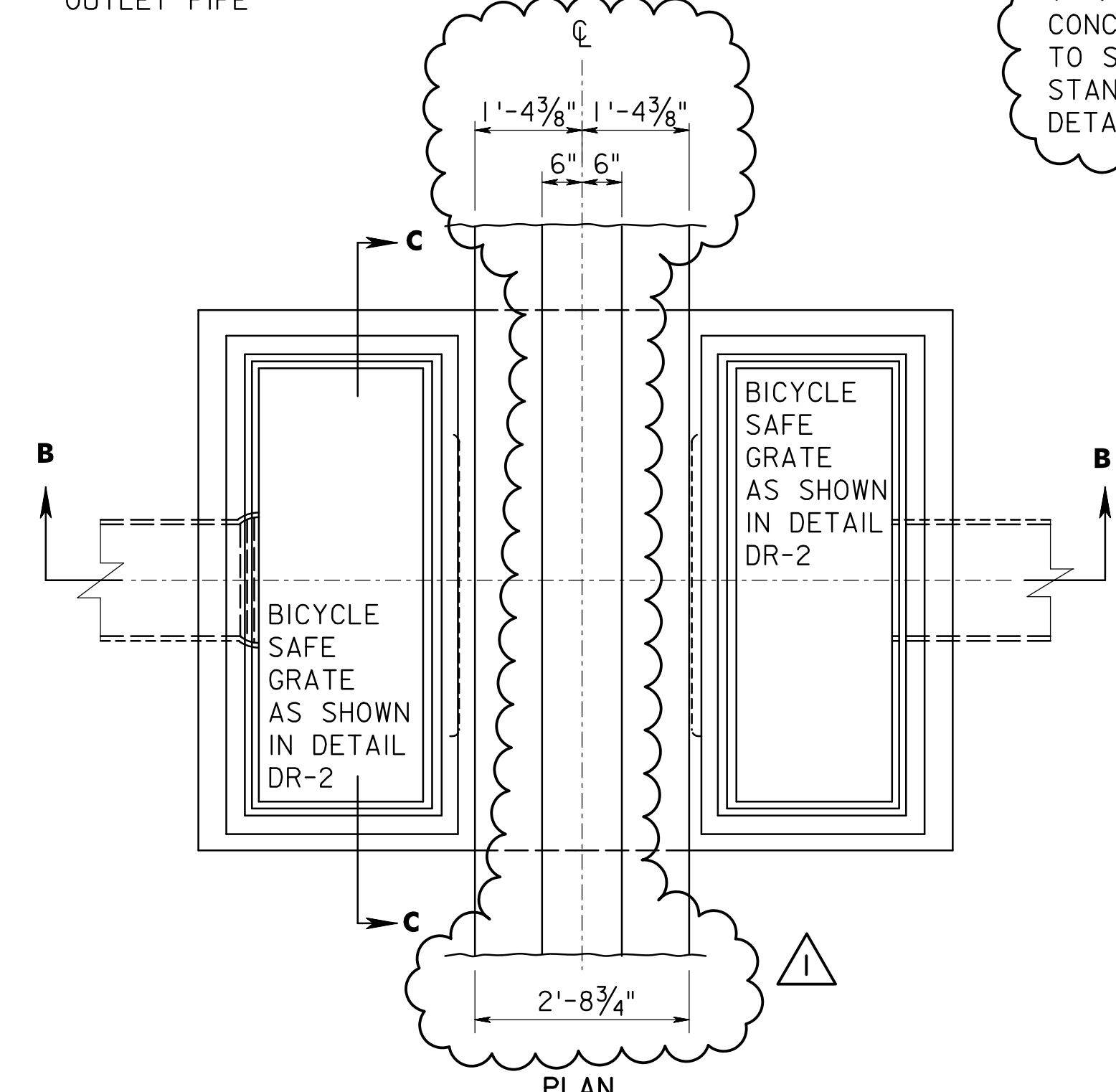
SECTION C-C

NOTES:  
 USE FRAME FOR INLET, TYPE G1.  
 CONCRETE MEDIAN BARRIER SHALL CONFORM TO SPECIFICATION SECTION 508. REFER TO STANDARD DRAWING MB-1 FOR ADDITIONAL DETAILS AND INFORMATION.

THIS DRAWING FOR REFERENCE ONLY  
 THIS DRAWING MAY ONLY BE USED FOR REPAIR OF EXISTING TYPE D-4 AND TYPE D-5 INLETS. NEW INSTALLATION OR COMPLETE REPLACEMENT SHALL BE PROHIBITED.



INLET TYPE D-4



INLET TYPE D-5

App.	No.	DATE	REVISION
	1	03/26	UPDATED BARRIER DIMENSIONS AND NOTES
	0	04/09	ORIGINAL DRAWING

NEW JERSEY TURNPIKE AUTHORITY

**BARRIER CURB INLET DETAILS**

OFFICE OF THE CHIEF ENGINEER

2009 STANDARD DRAWING

DR-7