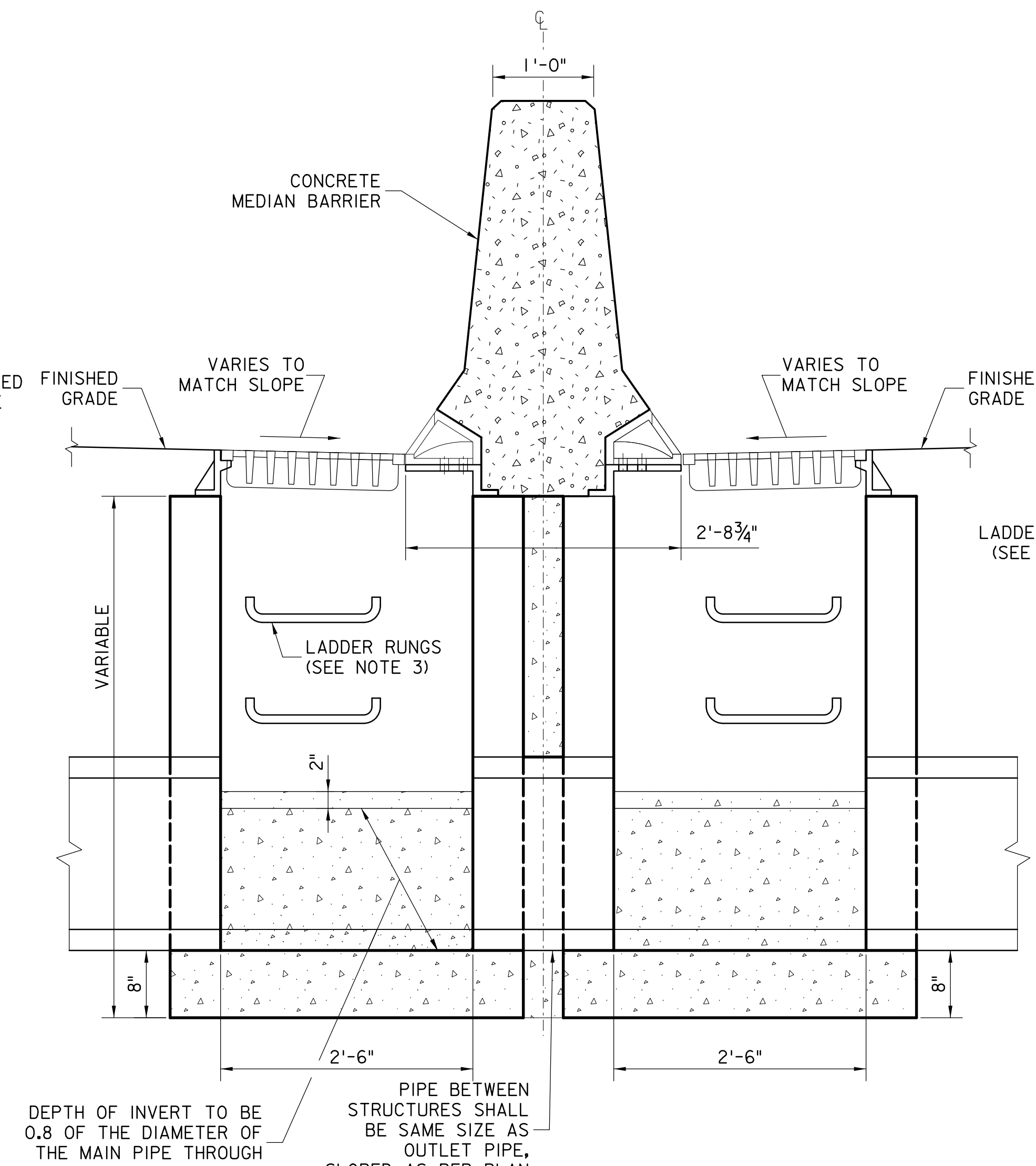
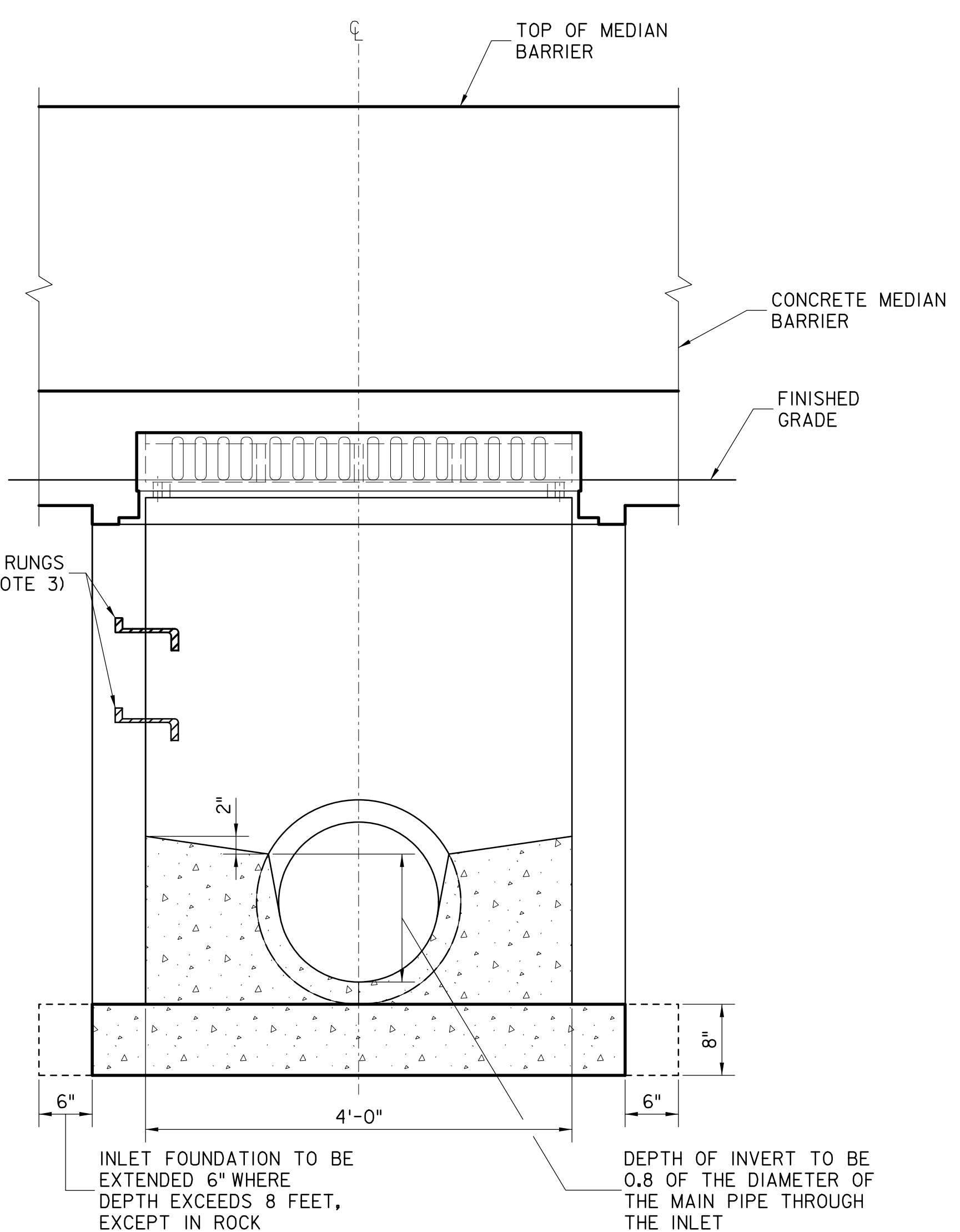


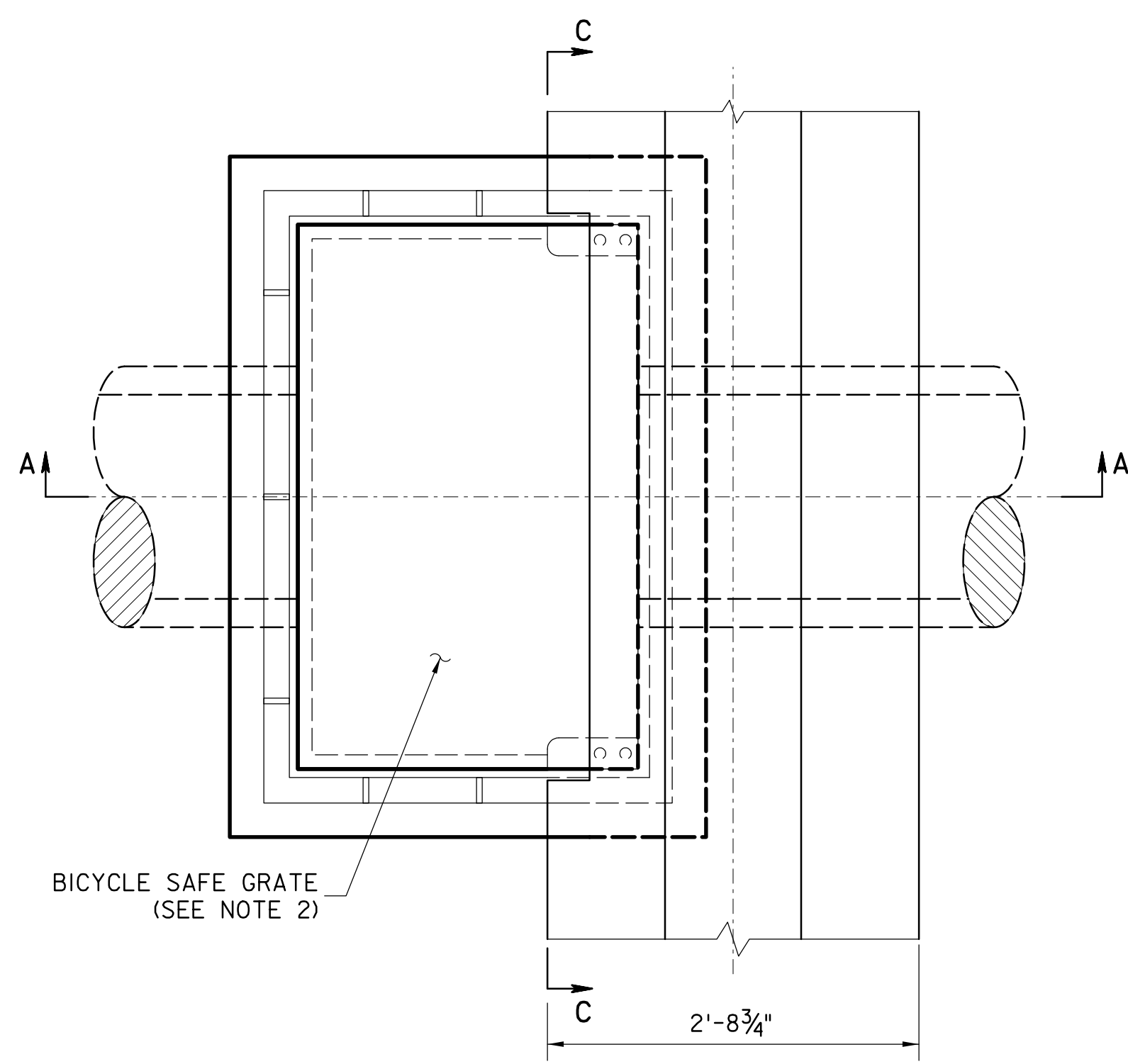
SECTION A-A



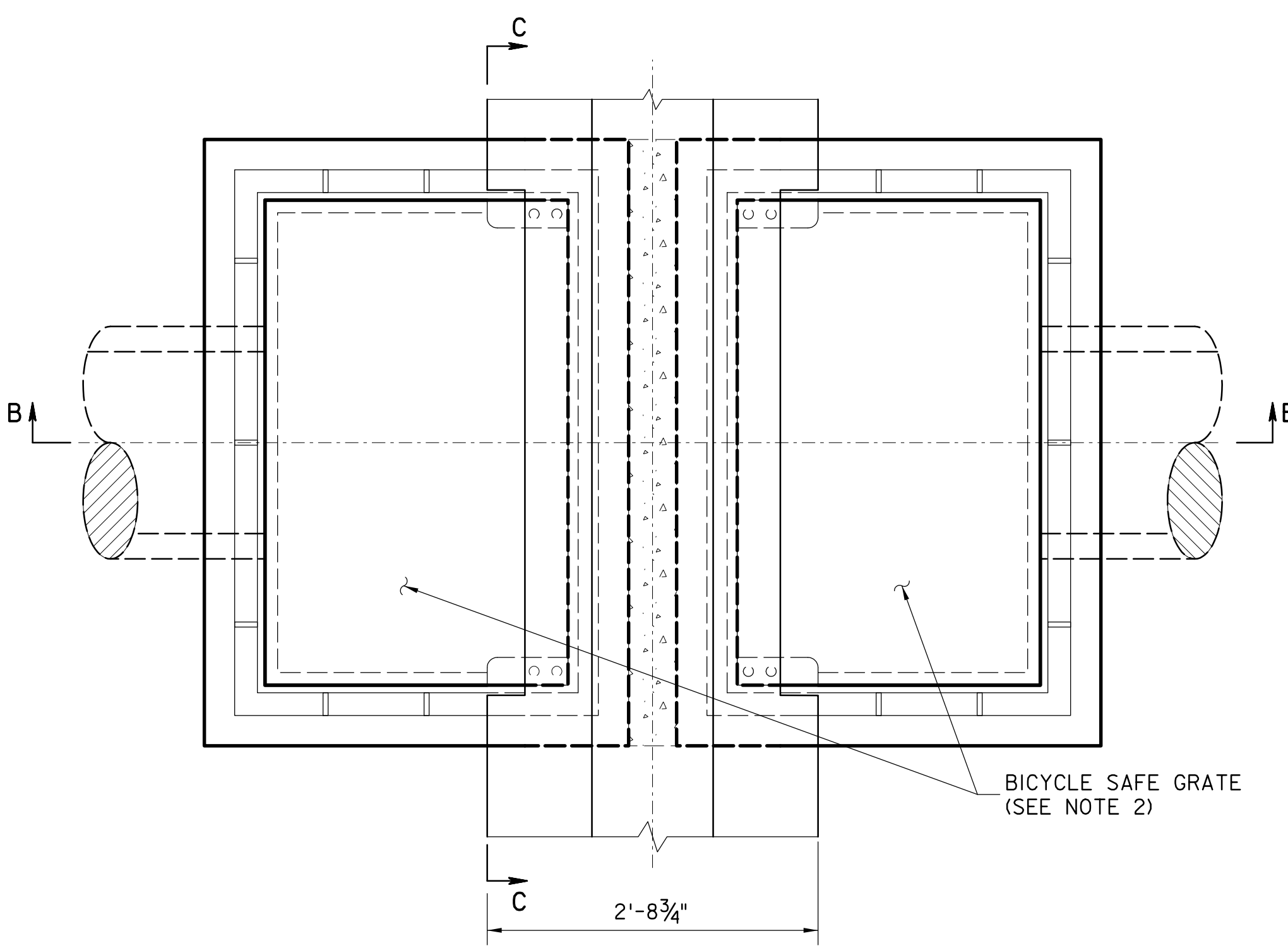
SECTION B-B



SECTION C-C



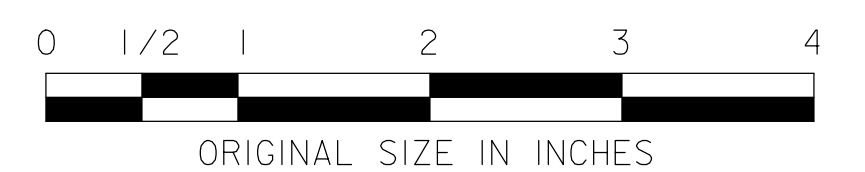
PLAN INLET TYPE D-6



PLAN INLET TYPE D-7

NOTES:

1. WORK THIS DRAWING WITH STANDARD DRAWING DR-2A.
2. FOR BICYCLE SAFE GRATE DETAILS, REFER TO STANDARD DRAWING DR-2.
3. FOR LADDER RUNG DETAILS, REFER TO STANDARD DRAWING DR-3.
4. SEE STANDARD DRAWING DR-1 FOR ADDITIONAL INLET NOTES AND DETAILS.



NEW JERSEY TURNPIKE AUTHORITY
NEW JERSEY TURNPIKE
GARDEN STATE PARKWAY
 STANDARD DRAWINGS

BARRIER CURB INLET DETAILS - 2

OFFICE OF THE CHIEF ENGINEER
 NEW JERSEY TURNPIKE AUTHORITY
 WOODBRIDGE, NEW JERSEY

STANDARD DRAWING
DR-7A

REV.	DESCRIPTION	DATE
0	ORIGINAL DRAWING	03/26