

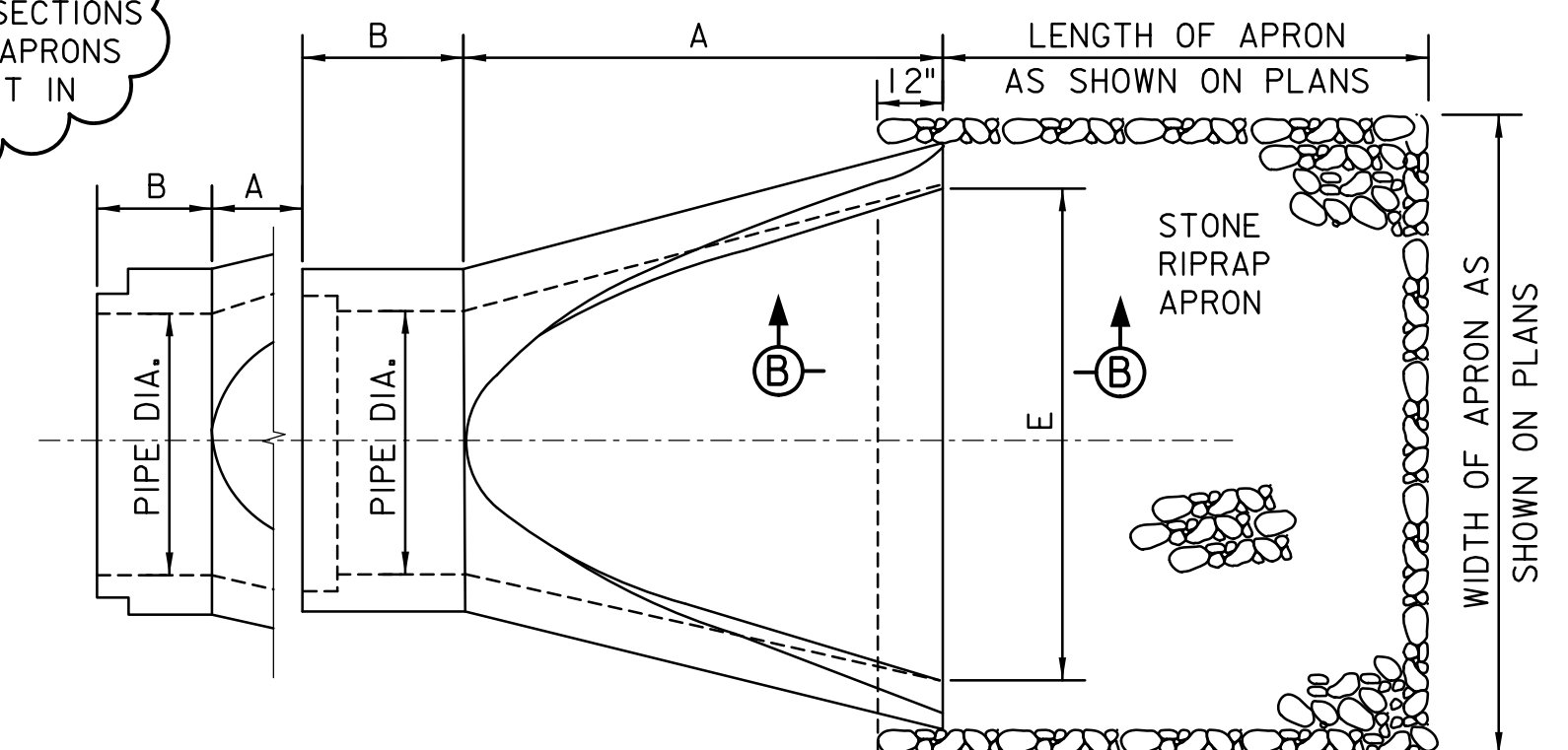
CONVERTING EXISTING INLET TO MANHOLE

PIPE DIA.	DIMENSIONS					SLOPE	BODY
	A (1"+)	B (MAX.)	H* (1"+)	L (1 1/2")	W (2"+)		
12"	6"	6"	6"	21"	24"	2 1/2	1 Pc
15"	7"	8"	6"	26"	30"	2 1/2	1 Pc
18"	8"	10"	6"	31"	36"	2 1/2	1 Pc
24"	10"	13"	6"	41"	48"	2 1/2	1 Pc
30"	12"	16"	8"	51"	60"	2 1/2	2 Pc
36"	14"	19"	9"	60"	72"	2 1/2	2 Pc
42"	16"	22"	11"	69"	84"	2 1/2	2 Pc
48"	18"	27"	12"	78"	90"	2 1/4	2 Pc
54"	18"	30"	12"	84"	102"	2	2 Pc
60"	18"	33"	12"	87"	114"	1 3/4	3 Pc
66"	18"	36"	12"	87"	120"	1 1/2	3 Pc
72"	18"	39"	12"	87"	126"	1 1/2	3 Pc

SPAN RISE	DIMENSIONS					SLOPE	BODY
	A (1"+)	B (MAX.)	H* (1"+)	L (1 1/2")	W (2"+)		
18"x11"	7"	9"	6"	19"	30"	2 1/2	1 Pc
22"x13"	7"	10"	6"	23"	36"	2 1/2	1 Pc
25"x16"	8"	12"	6"	28"	42"	2 1/2	1 Pc
29"x18"	9"	14"	6"	32"	48"	2 1/2	1 Pc
36"x22"	10"	16"	6"	39"	60"	2 1/2	1 Pc
43"x27"	12"	18"	8"	46"	75"	2 1/2	1 Pc
50"x31"	13"	21"	9"	53"	85"	2 1/2	2 Pc
58"x36"	18"	26"	12"	63"	90"	2 1/2	2 Pc
65"x40"	18"	30"	12"	70"	102"	2 1/4	2 Pc
72"x44"	18"	33"	12"	77"	114"	2 1/4	3 Pc
79"x49"	18"	36"	12"	77"	126"	2	3 Pc
85"x54"	18"	39"	12"	77"	138"	2	3 Pc

TABLE OF DIMENSIONS
FLARED END SECTIONS FOR HDPE PIPE

*DIMENSION H TO BE 2" FOR ALL HDPE END SECTIONS WITH STONE RIPRAP APRONS (MAY BE CUT TO SUIT IN THE FIELD)



DESIGN AND WALL THICKNESS SHALL CONFORM TO REQUIREMENTS FOR CONNECTING PIPE.

FLARED END SECTION FOR CONCRETE PIPE

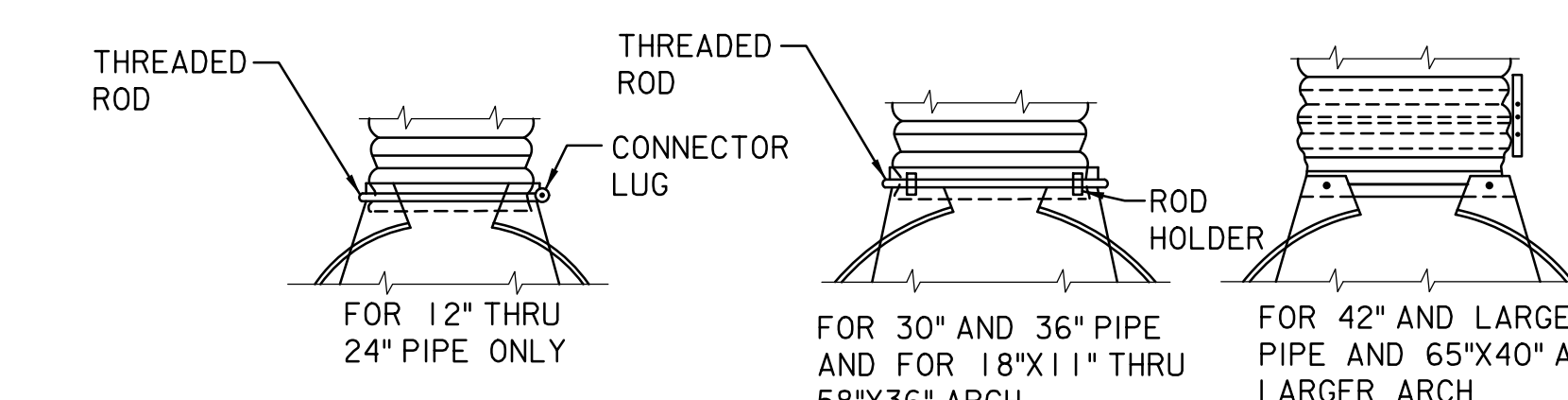
PIPE DIA.	A	B	C	E
12"	24"	24"	5"	24"
15"	24"	24"	7 1/2"	28"
18"	24"	24"	9"	34"
24"	24"	24"	10"	48"
30"	30"	26"	14"	60"
36"	36"	26"	14"	72"
42"	60"	36"	21"	78"
48"	60"	36"	24"	84"
54"	60"	36"	27"	90"
60"	60"	36"	31"	96"
72"	63"	36"	36"	108"

C- DIMENSION IS VERTICAL HEIGHT OF SECTION AT END OF FLARE.

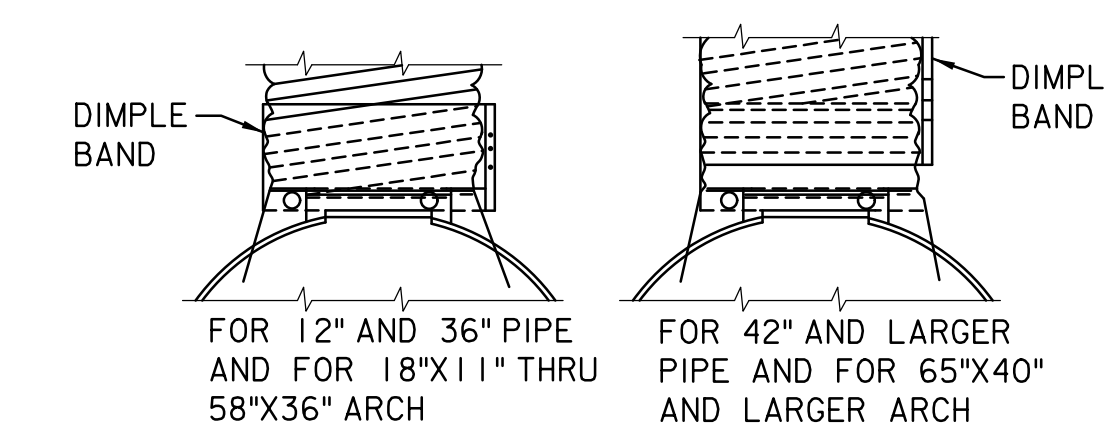
TABLE OF DIMENSIONS
FLARED END SECTIONS FOR CONCRETE PIPE

NOTES:

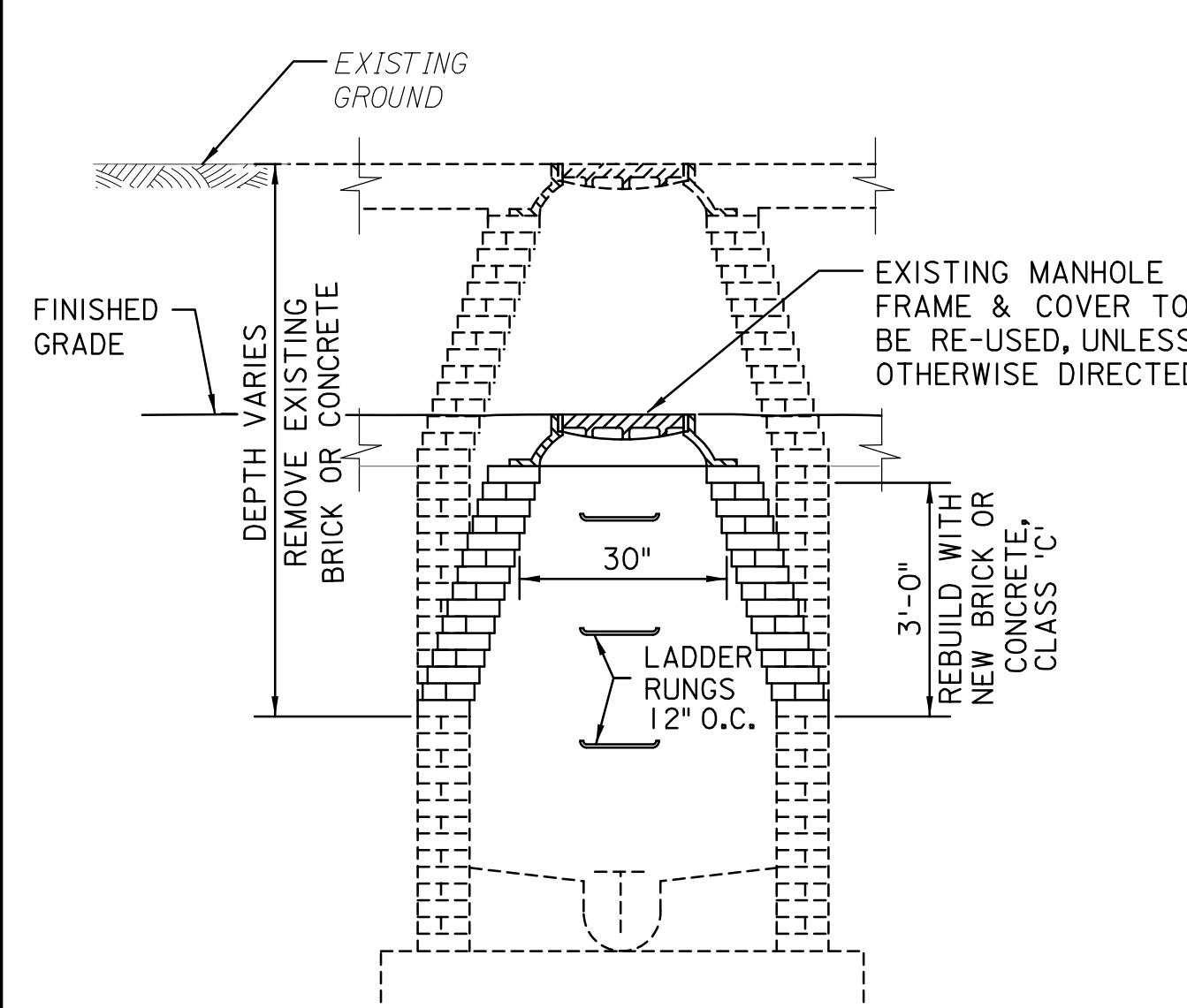
- LADDER, RUNGS TO BE PROVIDED IN ALL DROP INLETS OVER 4' DEEP.
- FRAMES TO BE RESET IN A FULL BED OF STIFF MORTAR.
- STONE RIPRAP APRONS ARE REQ'D. WITH FLARED END SECTIONS FOR ALL PIPES LARGER THAN 18" DIAMETER, AND WHERE SPECIFIED ON THE PLANS.
- HIGH DENSITY POLYETHYLENE (HDPE) FLARED END SECTIONS SPECIFIED WITHOUT STONE RIPRAP APRONS SHALL BE FURNISHED WITH TOE PLATE EXTENSIONS.
- WORK THIS DRAWING WITH STANDARD DRAWING DR-4A FOR FLARED END SECTION CONCRETE COLLAR.



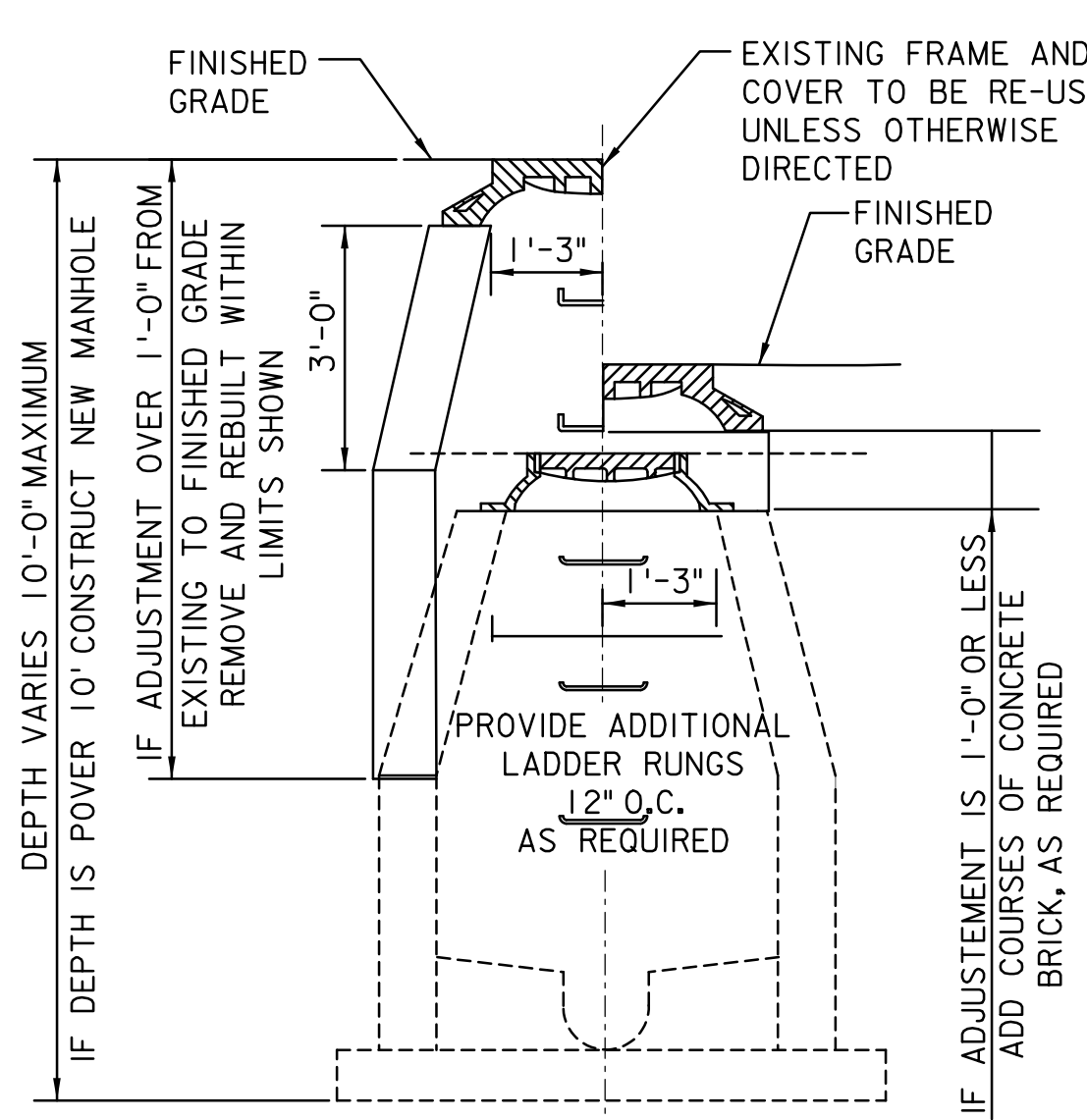
CONNECTIONS FOR RIVETED PIPE



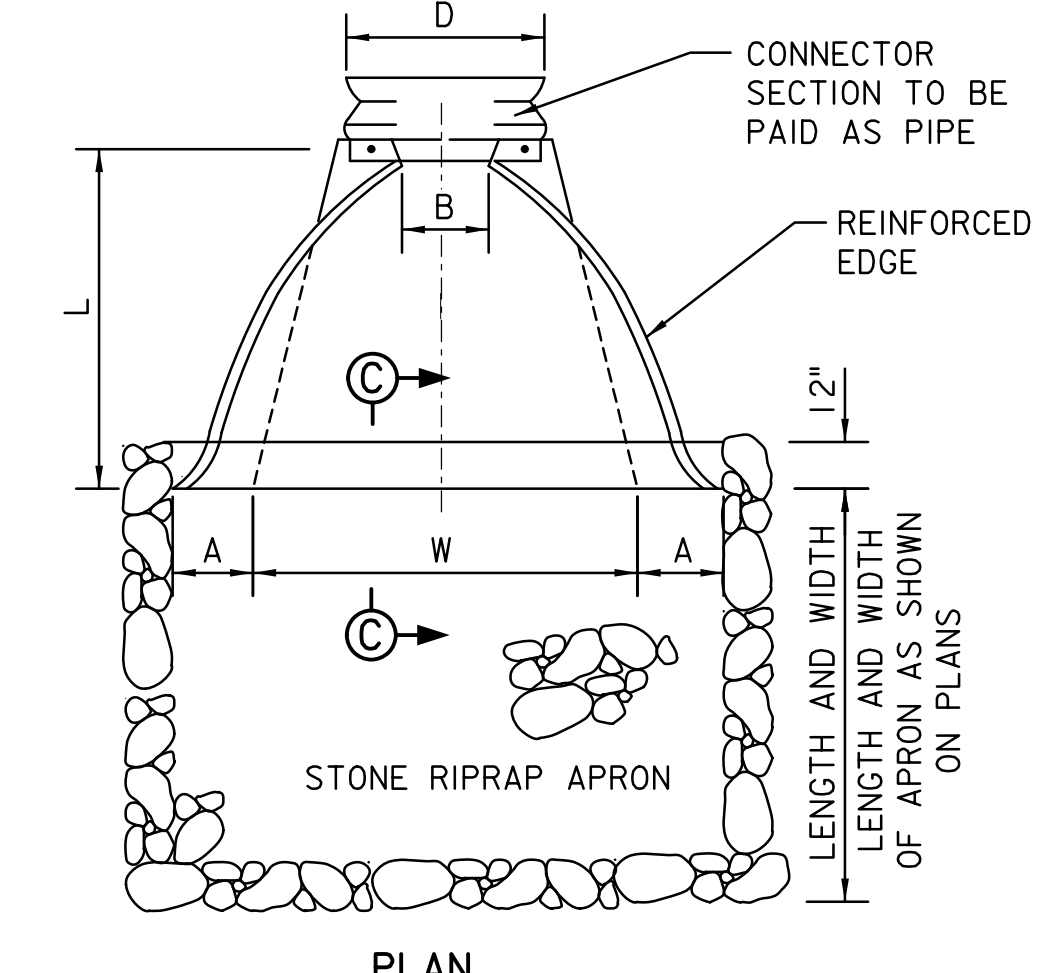
CONNECTIONS FOR HELICALLY CORRUGATED PIPE



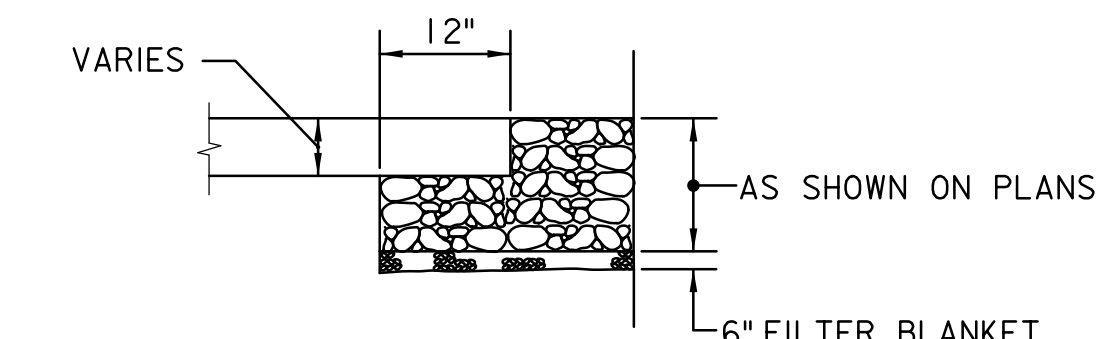
LOWERING EXISTING MANHOLE



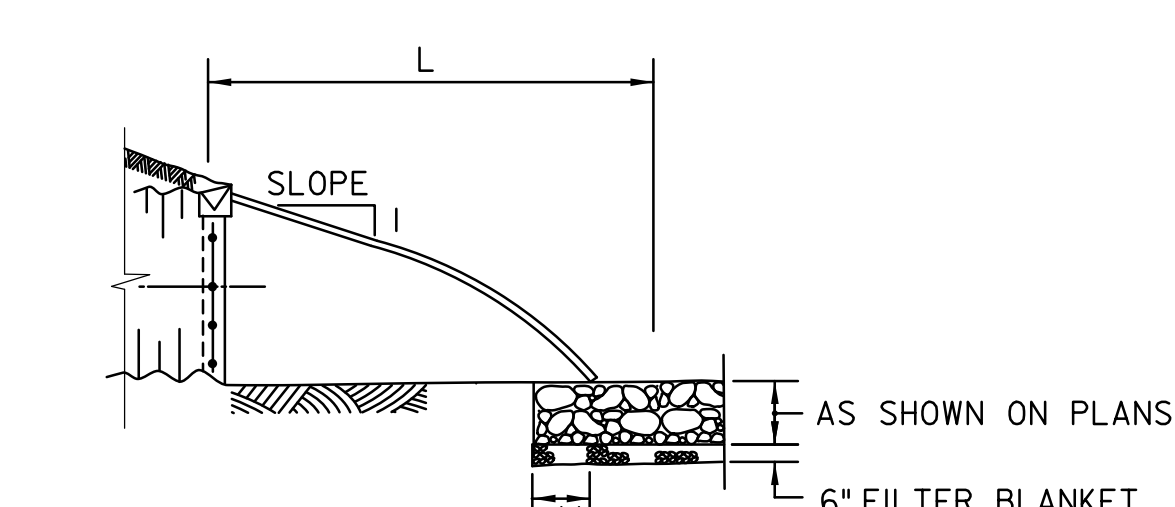
RAISING EXISTING MANHOLE



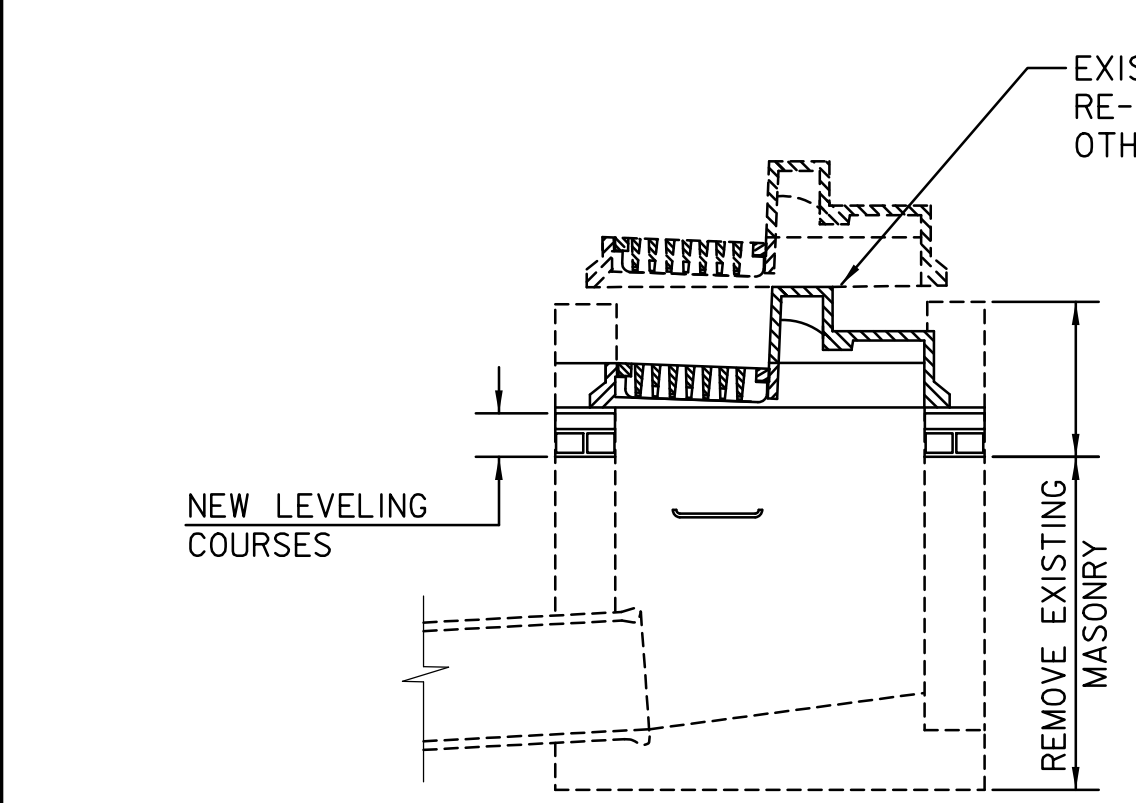
PLAN



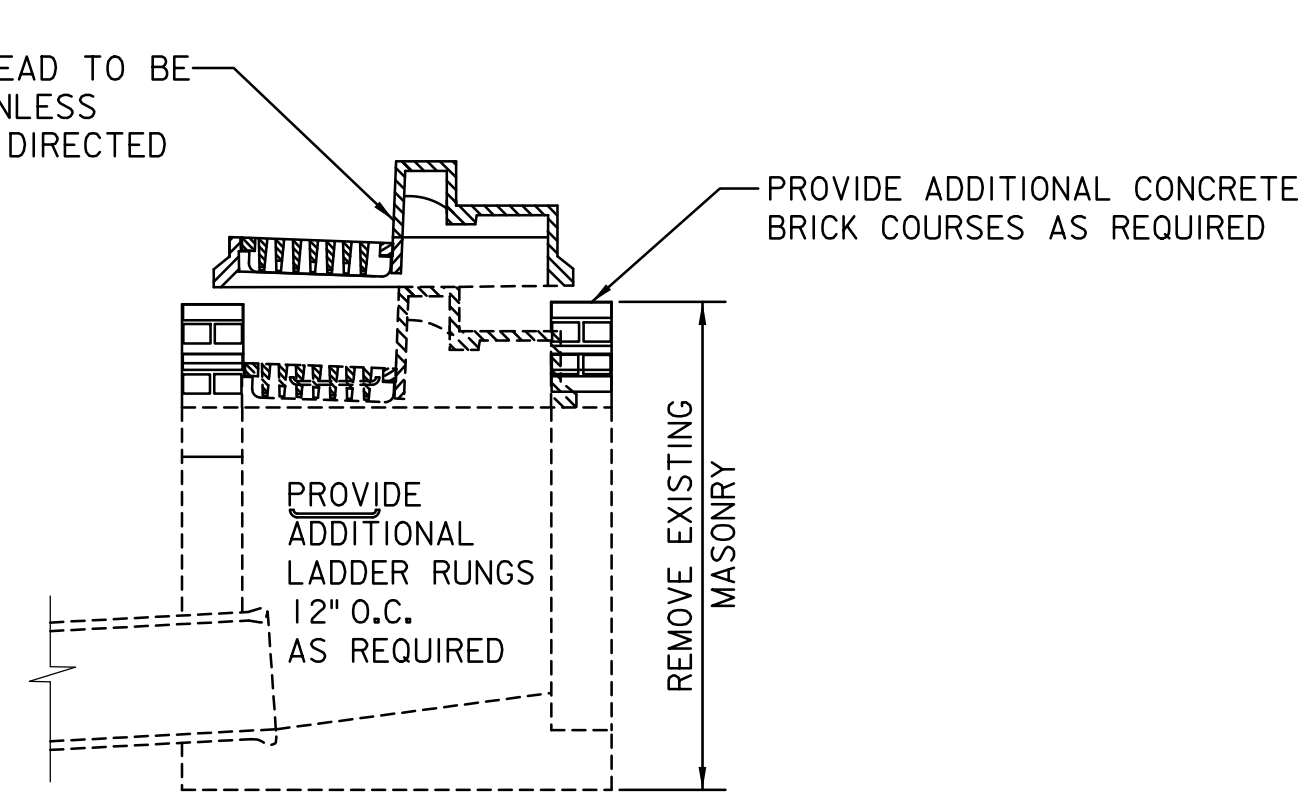
SECTION B-B



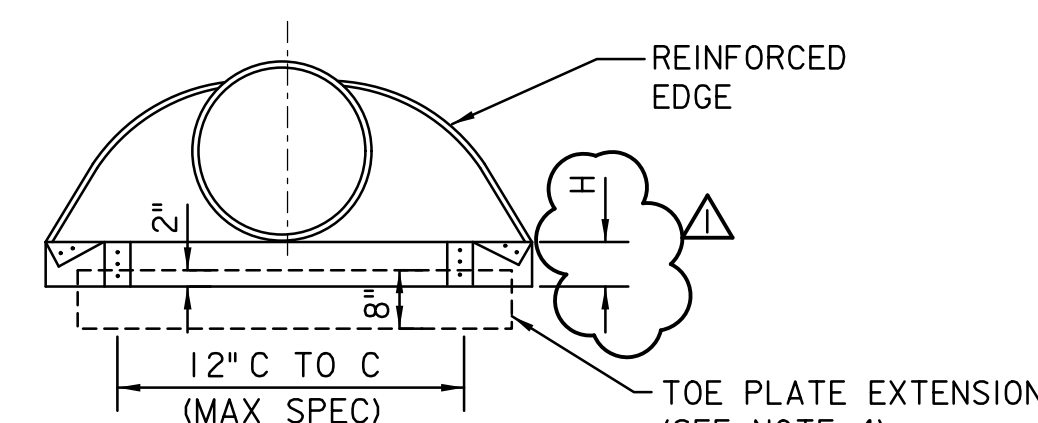
SECTION C-C



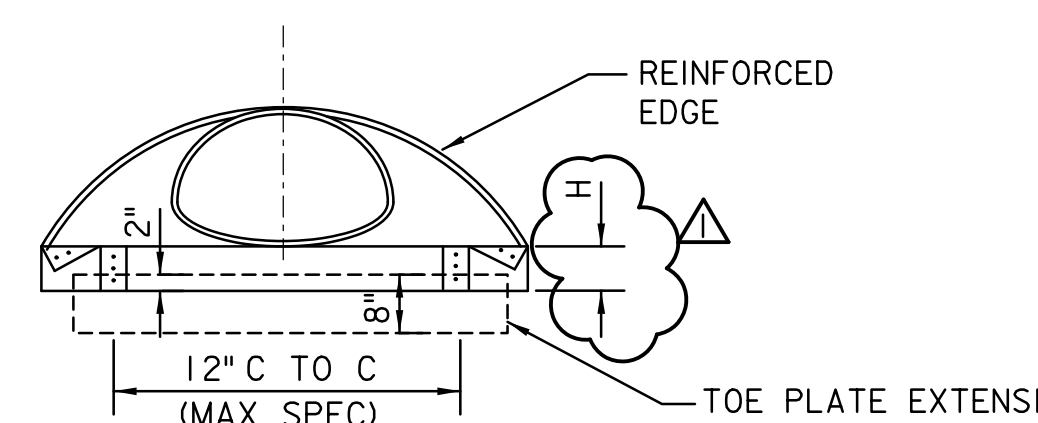
LOWERING EXISTING INLET



RAISING EXISTING INLET

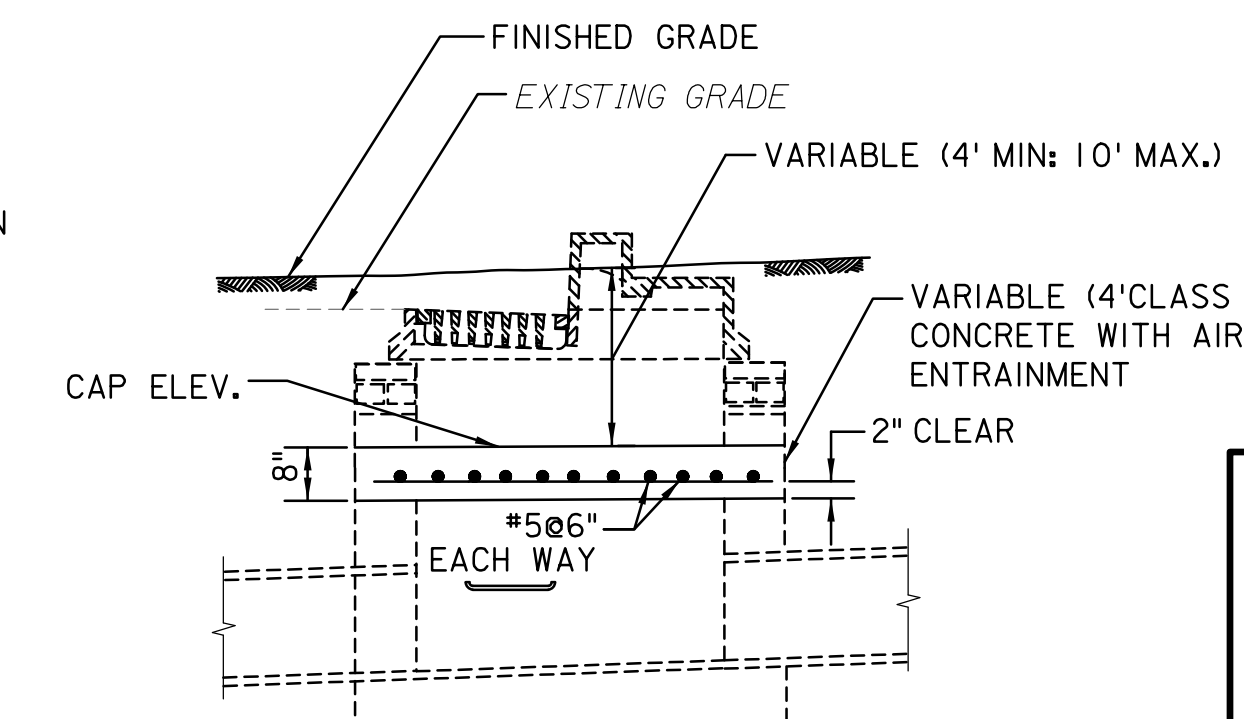


ELEVATION (CIRCULAR PIPE)



ELEVATION (ARCH PIPE)

FLARED END SECTIONS FOR HDPE PIPES



CAPPING EXISTING DRAINAGE STRUCTURE

NOTE: MANHOLES TO BE CAPPED IN A SIMILAR MANNER

REV.	DESCRIPTION	DATE
1	UPDATED FOR HDPE PIPE AND CONCRETE COLLAR	03/26
0	ORIGINAL DRAWING	04/09

NEW JERSEY TURNPIKE AUTHORITY
NEW JERSEY TURNPIKE GARDEN STATE PARKWAY
STANDARD DRAWINGS

ALTERATIONS OF MANHOLES, INLETS AND MISCELLANEOUS DETAILS

OFFICE OF THE CHIEF ENGINEER
NEW JERSEY TURNPIKE AUTHORITY
WOODBURGE, NEW JERSEY

STANDARD DRAWING

DR-4