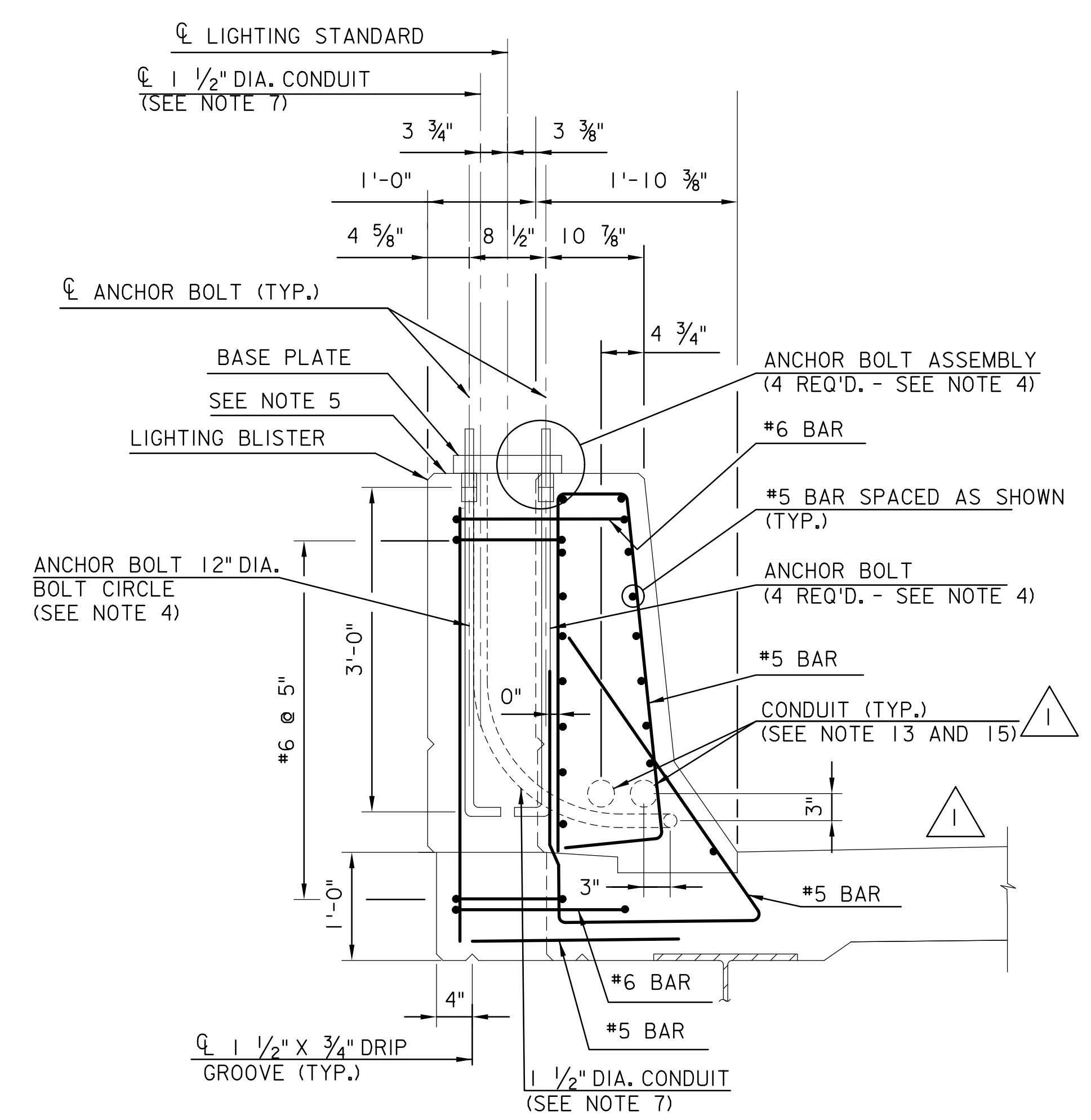


LIGHTING BLISTER - PLAN
(SEE NOTE 8)
1" = 1'-0"

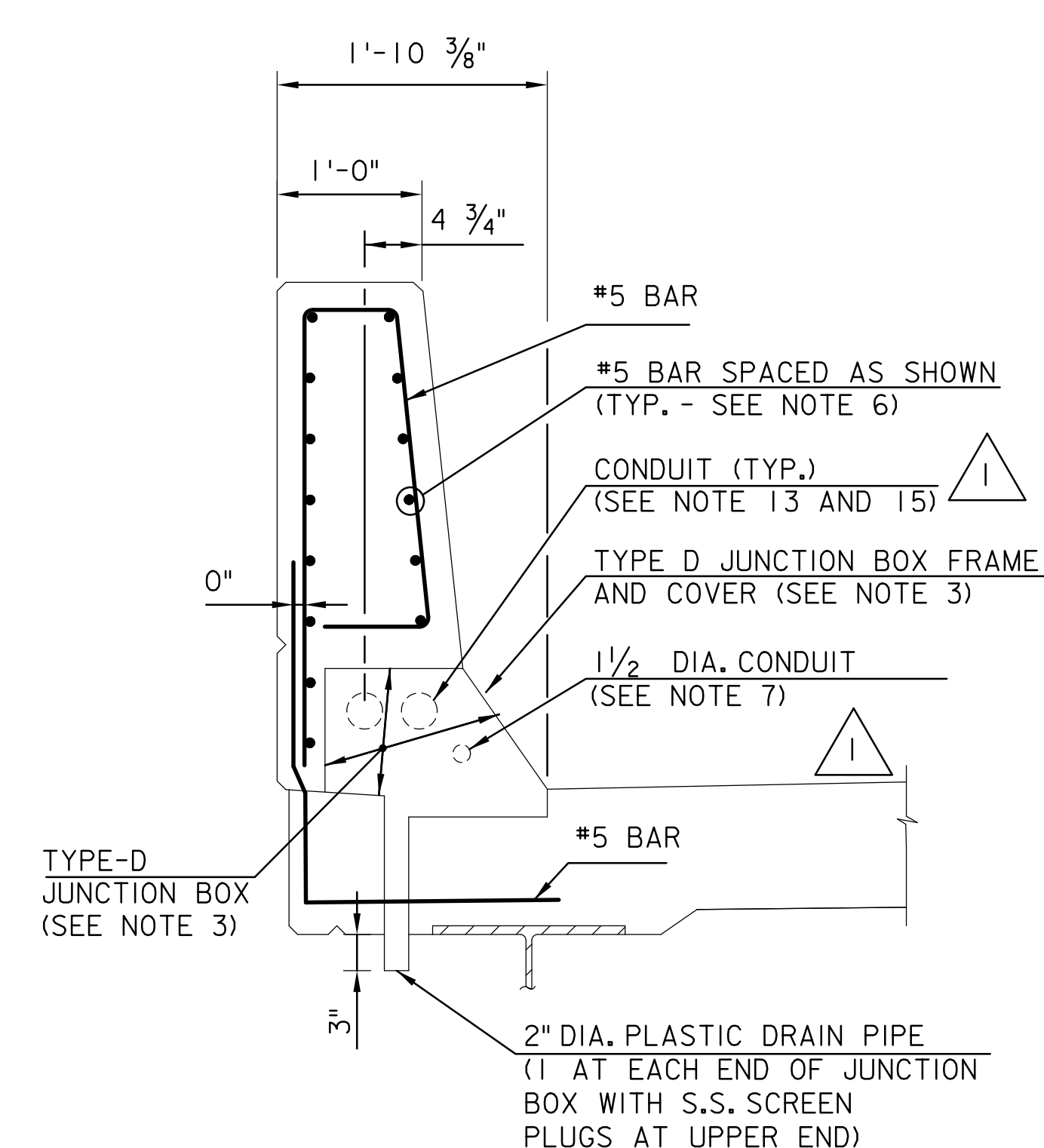
NOTES:

- FOR LIGHTING STANDARD AND JUNCTION BOX LOCATIONS, SEE THE CONTRACT PLANS.
- FOR TYPICAL BARRIER PARAPET REINFORCEMENT, DIMENSIONS AND DETAILS NOT SHOWN, SEE STANDARD DRAWING BR-7.
- FOR TYPE-D JUNCTION BOX FRAME AND COVER DETAILS SEE STANDARD DRAWING E-14.
- SEE STANDARD DRAWING E-10 FOR BOLTING DETAILS OF LIGHTING STANDARD TO PARAPET.
- TOP OF BARRIER PARAPET SHALL BE FINISHED TO A TRUE LEVEL PLANE SURFACE BENEATH THE LIGHTING STANDARD.
- MAINTAIN 2" REINFORCEMENT CLEARANCE AT JUNCTION BOX.
- CONDUIT BETWEEN TYPE D JUNCTION BOXES AND LIGHTING BLISTERS SHALL BE RIGID METALLIC. 1 1/2" DIA. RIGID METALLIC CONDUIT SHALL HAVE A MINIMUM BEND RADIUS OF 10".
- DETAIL SHOWN IS NOT APPLICABLE FOR A PARAPET PANEL LENGTH ("L") LESS THAN 12'-10".
- SHOP DRAWINGS ARE REQUIRED FOR REINFORCEMENT.
- LIGHTING STANDARD OFFSETS MEASURED TO C PARAPET PIER EXPANSION JOINT, C PIER OR C 1/4" PARAPET EXPANSION JOINT.
- ALL LIGHT STANDARDS SHALL BE DIRECTLY MOUNTED TO LIGHTING BLISTERS USING LIGHT POLE SHOE BASES AND NOT WITH THE USE OF TRANSFORMER BASES. POSITION BASES TO PROVIDE A MIN. OF 21" LATERAL OFFSET FROM FACE OF POLE TO GUTTERLINE OF BARRIER.
- LIGHTING STANDARD NOT SHOWN. FOR DETAILS SEE THE CONTRACT PLANS AND APPLICABLE ELECTRICAL STANDARD DRAWINGS. PROVIDE 1/8" THICK NEOPRENE PAD BETWEEN LIGHTING STANDARD AND PARAPET.
- CONDUITS MAY BE STACKED AND TRANSITIONED TO MEET THE POSITION SHOWN IN SECTION B-B AT THE JUNCTION BOX INTERFACE.
- THE CONTRACTOR SHALL COORDINATE THE LOCATION OF BRIDGE MOUNTED LIGHTING STANDARDS, LIGHTING BLISTERS, AND TYPE D JUNCTION BOXES WITH THE CONTRACT PLANS.
- CONDUIT IN PARAPET SHALL BE OF THE TYPE AND SIZE AS SHOWN ON THE CONTRACT PLANS.
- FOR DETAILS ON EXPANSION JOINTS AND FITTINGS FOR CONDUIT IN PARAPET SEE STANDARD DRAWING E-23.

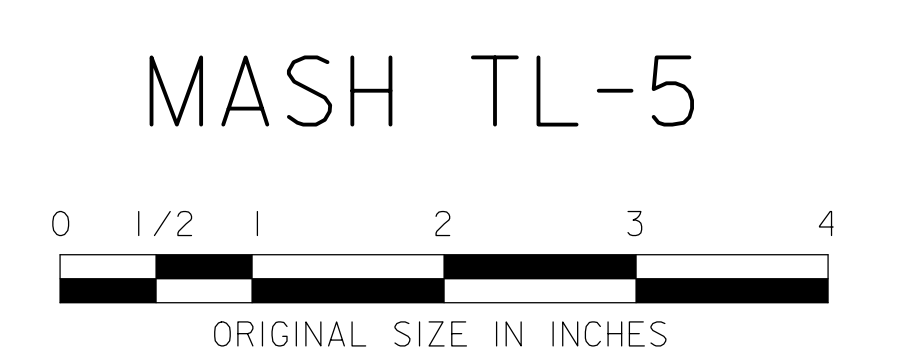


SECTION A-A
1" = 1'-0"

NOTE: ONE COURSE DECK CONSTRUCTION IS SHOWN. DECK CONSTRUCTION WITH OVERLAY IS SIMILAR.



SECTION B-B
1" = 1'-0"



NEW JERSEY TURNPIKE AUTHORITY
**NEW JERSEY TURNPIKE
GARDEN STATE PARKWAY**
STANDARD DRAWINGS

PARAPET LIGHTING BLISTER AND TYPE D JUNCTION BOX DETAILS

OFFICE OF THE CHIEF ENGINEER
NEW JERSEY TURNPIKE AUTHORITY
WOODBRIIDGE, NEW JERSEY

STANDARD DRAWING
BR-15

| REV. | DESCRIPTION | DATE |
|------|---|-------|
| 1 | REVISED; CONFORMS TO 2019 DESIGN MANUAL AND MINOR REVISIONS | 10/22 |
| 0 | REISSUED DRAWING | 07/21 |